

# Cord Reels Standard Duty



### Features and Benefits

- Powder coated Steel construction provides durability
- Swing mount or rigid mount, enclosed or open drum to fit any application
- Simple tension adjustment and ratchet disengagement make it simple to customize for the job

### Reference Information

UL File No.: E22769  
CSA File No.: LR29921

### Electrical

NEMA Configuration: NEMA 5-15 Plug  
Voltage: 120 V AC

### Physical

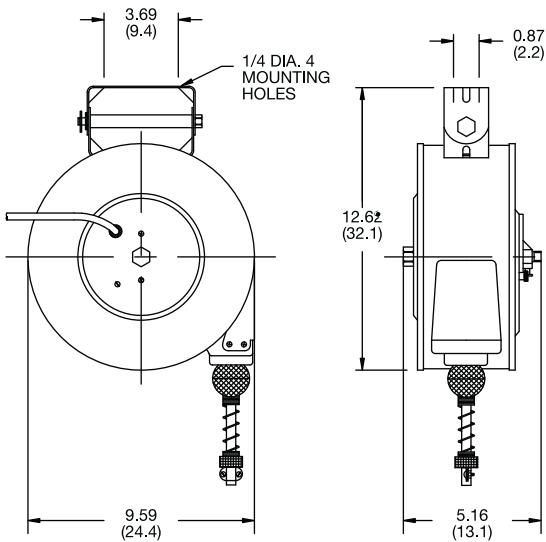
Construction: All reels include 2 ft primary cord with molded plug  
Working End: Flying leads and a ball stop  
Ratchet Lock: Easily disengaged as needed  
Tension: Easily adjusted  
Retraction Weight: Up to 3 lb

### Environmental

NEMA Rating: NEMA 1

Cord Type	Current	Cord Length	Construction	Mounting Style	Retraction Weight	Woodhead No.	Order No.
16/3 SJTOW	6A	10.67m (35.0')	Steel	Swinging	0.9kg (2.0 lb)	945-3	130090-0009
16/3 SJTOW	8A	15.24m (50.0')	Steel/Polycarbonate	Rigid	1.4kg (3.0 lb)	980	130091-0013
14/3 SJTOW	11A	13.72m (45.0')	Steel/Polycarbonate	Rigid	1.4kg (3.0 lb)	990	130091-0045
12/3 SJTOW	15A	10.67m (35.0')	Steel/Polycarbonate	Rigid	1.4kg (3.0 lb)	997	130091-0085

Standard Duty Cord Reel 945-3 Dimensions



Standard Duty Cord Reel 980/990/997 Dimensions

