



**IMPORTANT SAFETY INSTRUCTIONS**

Please read this manual carefully and follow its instructions. Improper use or failure to follow these instructions could result in serious injury, death or property damage. Operators should be instructed in the safe and proper use and maintenance of this product. Keep this manual for future reference.

The following safety precautions call attention to potentially dangerous conditions.

- DANGER:** Immediate hazards which **WILL** result in severe personal injury or death.
- WARNING:** Hazards or unsafe practices which **COULD** result in severe personal injury or death.
- CAUTION:** Hazards or unsafe practices which **MAY** result in *minor* personal injury or product or property damage.

**NOTES:** Instruct operators in the safe, proper use and maintenance. Keep this manual for future reference.

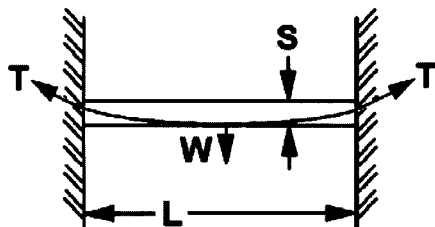
**INSTALLATION**

- WARNING:** Failure to read, understand, and follow these instructions may result in hazards or unsafe practices **COULD** result in severe personal injury or death.
- WARNING:** Lock out all electrical power before performing any service. Hazards or unsafe practices **COULD** result in severe personal injury or death.
- CAUTION:** Operators need to be instructed on the safe, proper use and maintenance of this product. Keep this manual for future references. Hazards or unsafe practices **MAY** result in *minor* personal injury or product or property damage.

**CALCULATION OF CABLE TENSION**

- CAUTION:** Tension in wire rope must not exceed 1050 LBS. Hazards or unsafe practices **MAY** result in *minor* personal injury or product or property damage.

When laying out a Pow-R-Tag system, the first considerations are the maximum carrying capacity and the sag under a given load. When determining clearance under cable loops, allow for sag in wire ropes supporting the system. Use formula below to determine tension in wire rope and sag.



L=Length (ft.)  
 S=Sag (ft.)  
 T=Tension (lbs.)  
 W=Total Weight (lbs.)

$$T \text{ (lbs.)} = \frac{W \times S}{8 \times S}$$

**CALCULATION FOR ELECTRIC CABLE/HOSE LENGTH**

**NOTE:** Normally two clamps are required per system. One clamp attaches to draw bar which is customer supplied and provides the driving element of the system and the other fastens to the fixed end of the system, or opposite moving end.

Total Length = (End Clearance + Working Travel + Storage Distance) x 1.1 + Hookup (both ends))

# SPECIFICATIONS

## MATERIALS

- Housing-Nylon
- Wheels-Nylon
- Shafts-Stainless Steel
- Fasteners-Galvanized Steel

## CAPACITY

Travel in first loop between fixed clamp and first car (A) and lead loop (b) will vary with **installation**.  
 Load-9 lbs./ Carrier      Storage distance per car 4-1/8"

Loop Depth	Maximum Travel Per Car *		Clamping Distance **(Cable/Hose)	
	Car 5111	Car 5121/5131	Car 5111	Car 5121/5131
3 ft.	5.7 ft.	5.9 ft.	6.25 ft.	6.52 ft.
4 ft.	7.5 ft.	7.7 ft.	8.25 ft.	8.52 ft.
5 ft.	9.3 ft.	9.5 ft.	10.25 ft.	10.52 ft.

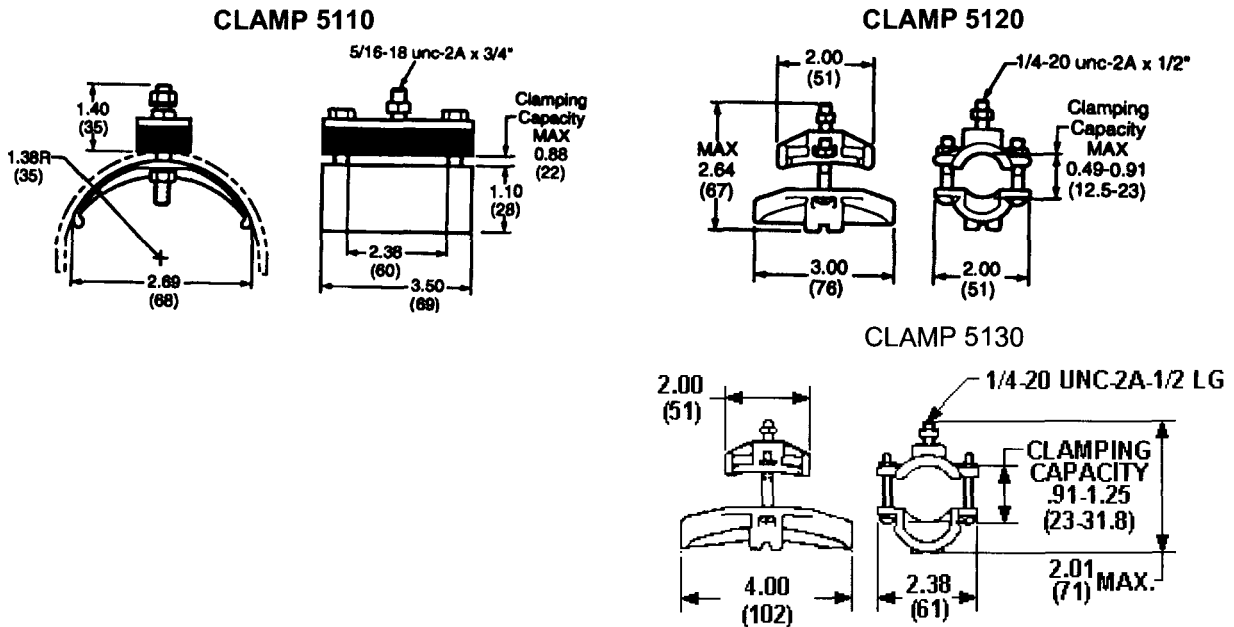
\* Working travel between two moving cars.  
 \*\* Distance between active carrier cars, as measured along cable or hose.

# DIMENSIONS

## CLAMPS & CARRIERS

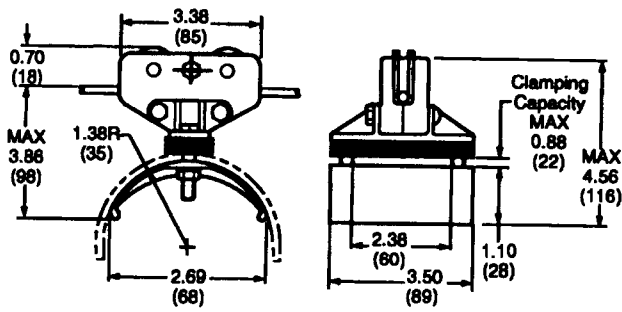
**NOTE:** If dimensions are critical, always request a certified print.  
 Dimensions are in inches (millimeters). See Illustrations on next page.

### CLAMPS

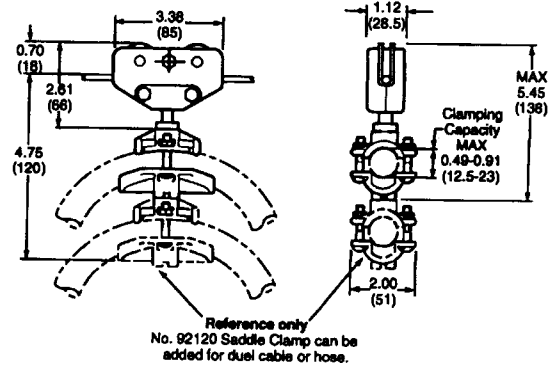


## CARRIERS

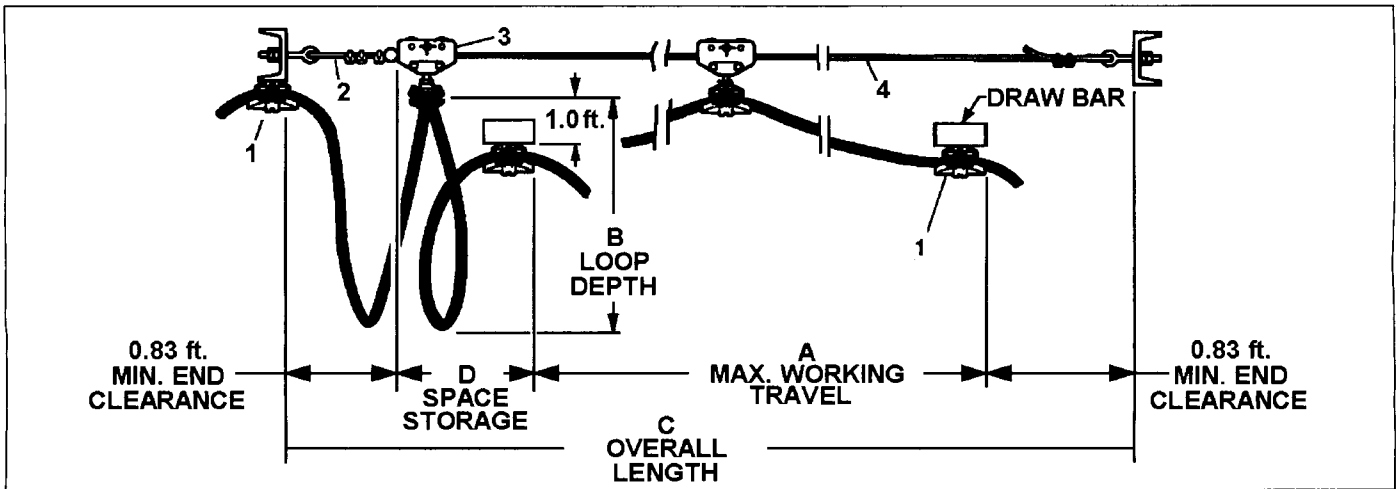
### CAR 5111



### CAR 5121/5131



## DIMENSIONS 5130/5120 ROUND

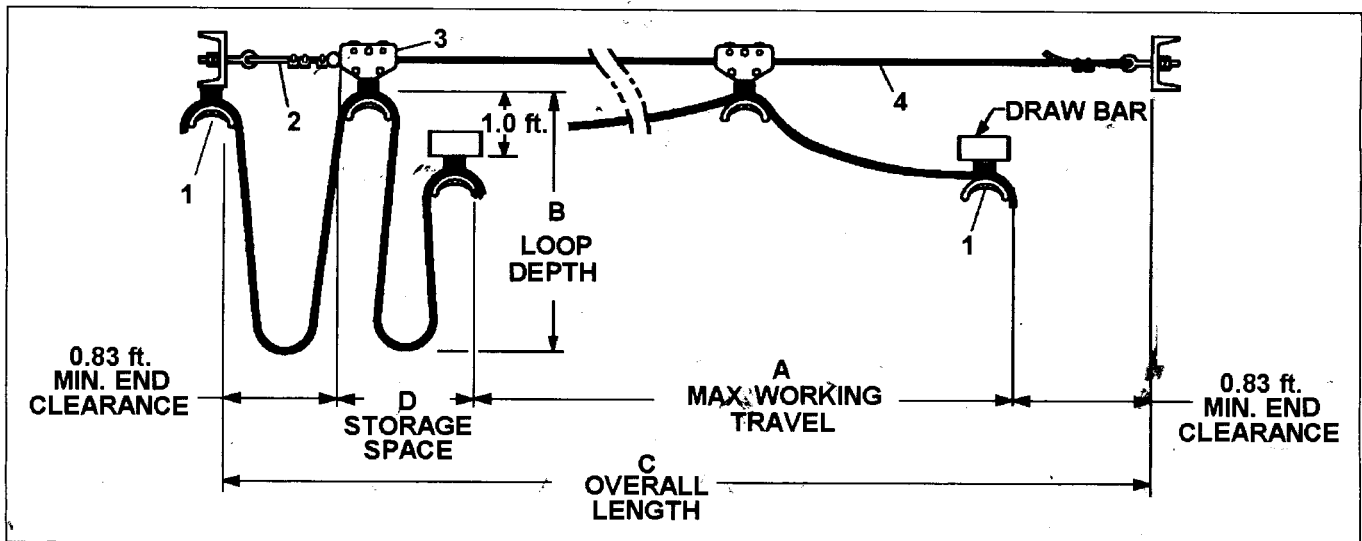


Reference Number	Part Number	Qty.	Description
1	5120/5130	2	Assembly; Saddle Clamp
2	5103	1	Kit; Hardware (2 eyebolts, 5 clamps, & 1 ball stop)
3	5121/5131	See Chart	Carriers; Intermediate
4	5104	AR	Rope; Nylon Covered Wire (Required Length)

Note: Round Cable, Connectors & Hose not included

A Max. Working Travel (ft.)	B* Loop Depth (ft.)	C Overall Length (ft.)	D Storage Space (ft.)	No. Of Carriers (Item # 3)	System No.
15	3	17.5	.84	2	51(2/3)0-02-025
20	4	22.5	.84	2	51(2/3)0-02-025
26	3	29.1	1.40	4	51(2/3)0-04-040
35	4	38.1	1.40	4	51(2/3)0-04-040
37	3	40.7	1.97	6	51(2/3)0-06-060
50	4	53.7	1.97	6	51(2/3)0-06-060
48	3	52.2	2.53	8	51(2/3)0-08-075
65	4	69.2	2.53	8	51(2/3)0-08-075

\*Max. Cable weight 138 lbs. Per ft. with 3ft. loop depth or 1.05lbs. per ft. with 4ft. loop depth.



Reference Number	Part Number	Qty.	Description
1	5110	2	Assembly; Saddle Clamp
2	5103	1	Kit; Hardware (2 eyebolts, 5 clamps, & 1 ball ston)
3	5111	See Chart	Carriers; Intermediate
4	5104	1	Rope; Nylon Covered Wire (Required Length)

Note: Round Cable, Connectors & Hose not included

A Max. Working Travel (ft.)	B* Loop Depth (ft.)	C Overall Length (ft.)	D Storage Space (ft.)	No. Of Carriers (Item # 3)	System No. (See Above Drawings for details)
15	3	18.7	1.05	2	5110-02-025
20	4	23.7	1.05	2	5110-02-025
26	3	30.5	1.75	4	5110-04-045
35	4	39.4	1.75	4	5110-04-045
37	3	42.2	2.45	6	5110-06-060
50	4	55.1	2.45	6	5110-06-060
48	3	54.8	3.15	8	5110-08-075
65	4	70.8	3.15	8	5110-08-075

\*Max. Cable weight, 1.44 lbs. per ft. with 3ft. loop depth or 1.09lbs. per ft. with 4ft. loop depth.