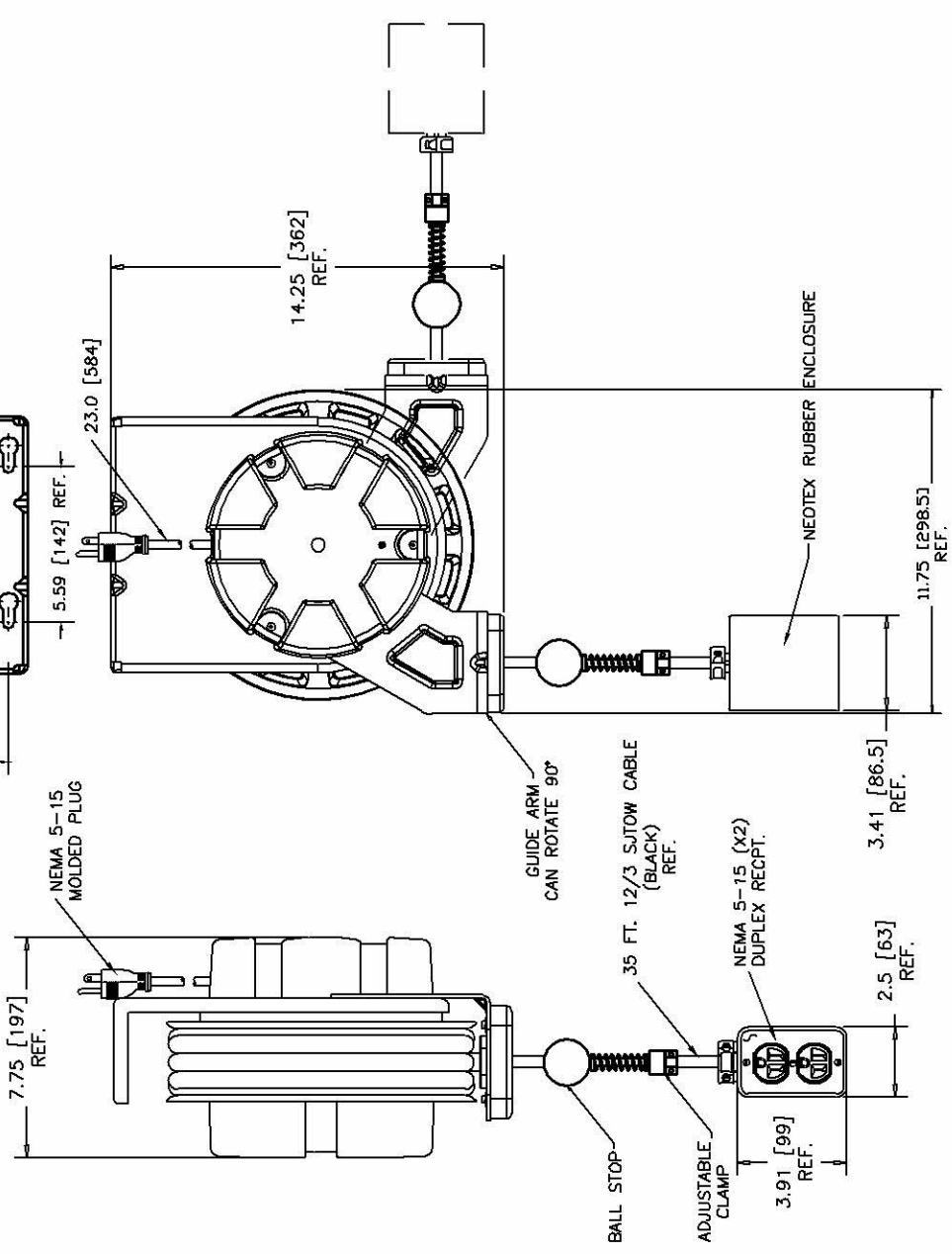


6 5 4 3 2 1

ORDER NO.	130091-0090
WOODHEAD ENG. NO.	997-3000
WIRE GAUGE	12
CONDUCTORS	3
AMPERAGE	15A
CORD LENGTH	35 FT [10.6 M]
CORD TYPE	SJTOW
CONSTRUCTION	SHEET METAL
PAINT	YELLOW POWDER COAT
REEL ENCLOSURE RATING	INDOOR
RETRACTION WEIGHT	3.0 LB [1.4 KG]



RELEASE DRAWING		EC NO: WNA2012-0035		DRWN: MCHOJECK 2011/07/18		CHKD: DT		APPR: DTTUS 2011/09/02			
DESCRIPTION		REV		A		A		A			
QUALITY SYMBOLS		GENERAL TOLERANCES (UNLESS SPECIFIED)		DIMENSION STYLE		SCALE		DESIGN UNITS			
<p>▶=0</p> <p>◁=0</p>		<p>mm INCH</p> <p>4 PLACES ±--- ±---</p> <p>3 PLACES ±--- ±.005</p> <p>2 PLACES ±0.13 ±.010</p> <p>1 PLACE ±0.25 ±.020</p> <p>ANGULAR ±1/2°</p>		<p>IN/MM</p> <p>DRAWN BY DATE</p> <p>MCHOJECK 2011/07/18</p> <p>CHECKED BY DATE</p> <p>DT 2011/07/18</p> <p>APPROVED BY DATE</p> <p>DTTUS 2011/09/02</p>		<p>NTS</p> <p>INCH</p>		<p>THIRD ANGLE PROJECTION</p>		<p>TITLE</p> <p>CORD REEL W/3000-1 BOX</p> <p>35' 12-3 CORD</p>	
DRAFT WHERE APPLICABLE MUST REMAIN WITHIN DIMENSIONS		MATERIAL NO. 1300910090		DOCUMENT NO. MOLEX INCORPORATED		SHEET NO. 1 OF 1		SD-130091-009			
THIS DRAWING CONTAINS INFORMATION THAT IS PROPRIETARY TO MOLEX INCORPORATED AND SHOULD NOT BE USED WITHOUT WRITTEN PERMISSION											

NOTES:

1. CABLE GUIDE IS ADJUSTABLE - DUAL POSITION
2. RATCHET LOCK IS EASY TO DISENGAGE FOR CONSTANT TENSION.
3. REEL CANNOT BE "LOCKED OUT" AT FULL TENSION.
4. BALL STOP INCLUDED

E D C B A

6 5 4 3 2 1