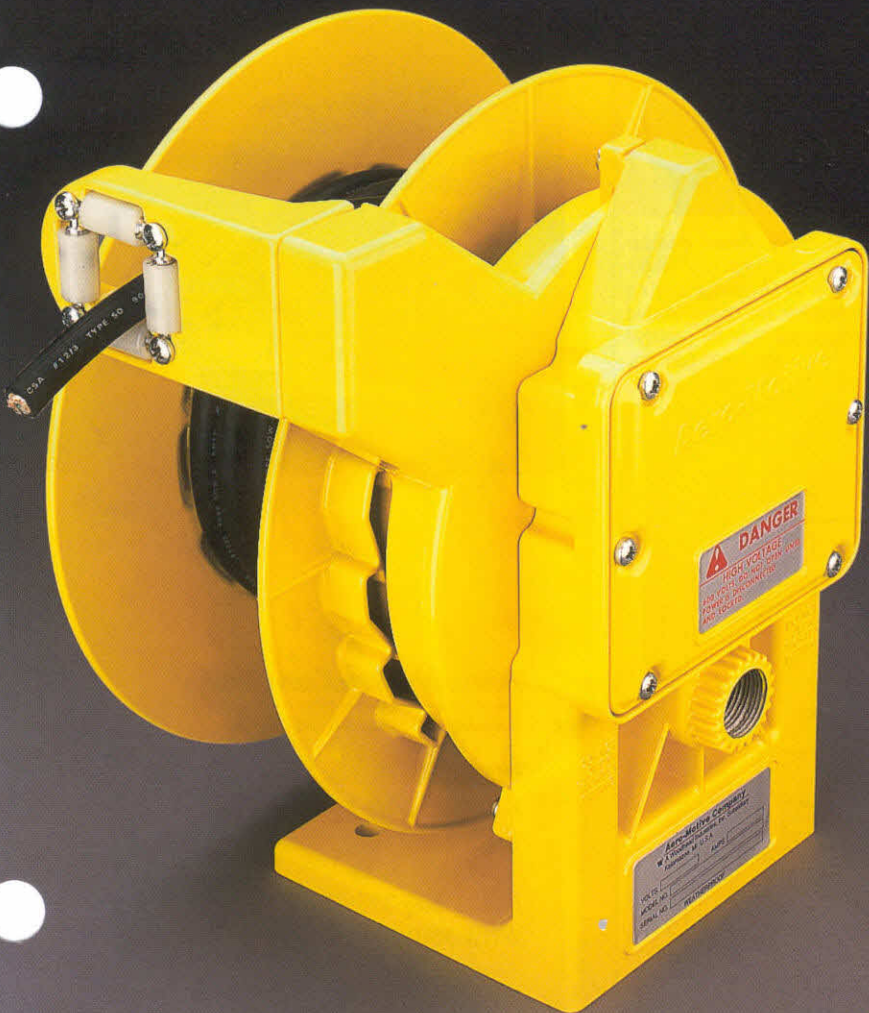


200/300/400

POW-R-MITE REELS



RELIABLE
POWER
UP TO
30 AMPS

Aero-Motive Company



A Woodhead Industries, Inc. Subsidiary

MOBILE ELECTRIFICATION

POW-R-MITE® REELS

200/300/400

Features:

Pow-R-Mite cable reels are designed for performance, long service life and easy maintenance. Ideal for hoists, electric tools and moving equipment.

- ▼ Factory assembled with Type S0 or W cable
- ▼ Aluminum construction
- ▼ Reels constructed with spring tension to lift or stretch cable with no more than 10% sag
- ▼ Long life mainspring is containerized for safe, easy handling
- ▼ 30 amp modular collector ring has oversized components to protect against overloads
- ▼ Adjustable cable guide
- ▼ Ratchet with anti cable "lock-out" feature
- ▼ Welding version available
- ▼ UL listed and CSA Certified
- ▼ Available custom-configured without cable



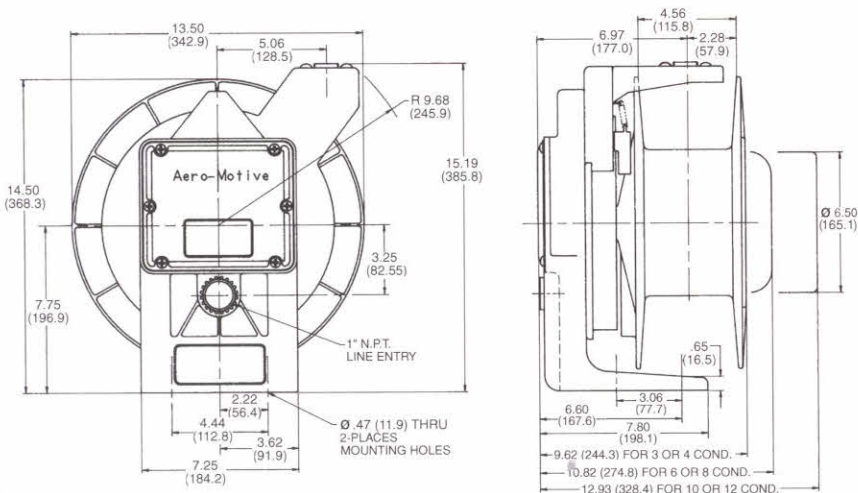
Cable is included on all Pow-R-Mite models. Specify by number of conductors, AWG size and length.



Compact 30-amp modular collector rings can handle up to 16 conductors. All brushes are spring loaded copper/graphite for positive electrical contact.

SELECTOR CHART

Rated Amps.	Cable AWG Size	No. Cond.	Length									
			20 ft	25 ft	30 ft	35 ft	38 ft	40 ft	45 ft	50 ft		
9	16	3	232B		224B				231B		228B	
7	16	4	242B		234B				244B		238B	
7	16	6								206B		
6	16	8						208B			485B	
5	16	10				403B						
5	16	12				413B						
13	14	3	332C	253C	233C				334C		358C	
11	14	4	342C	363C	343C				344C	367C	345C	
11	14	6				306C						
8	14	8	308C		483C							
7	14	10	402C									
18	12	3	332D	383D	333D	385D			434D		435D	
14	12	4	342D		394D				444D		445D	
14	12	6			463D							
12	12	8	482D									
22	10	3	242E		433E				434E			
16	10	4	452E		443E							
14	10	6	462E									



Aero-Motive Company

W A Woodhead Industries, Inc. Subsidiary