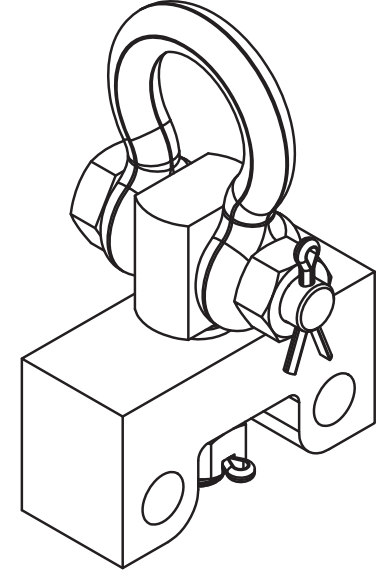
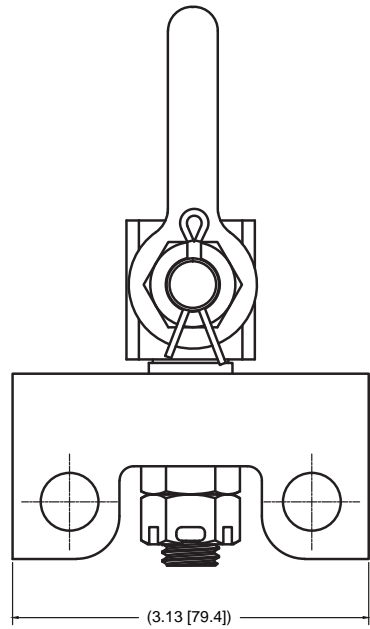
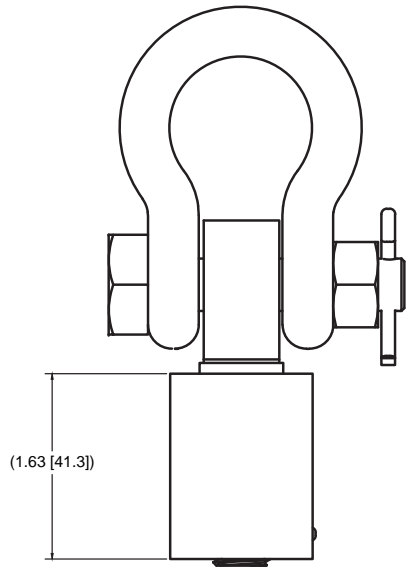


10 9 8 7 6 5 4 3 2 1

F  
E  
D  
C  
B  
A



REPAIR PART:	
MATERIAL NUMBER	ENGINEERING NUMBER
1301792070	BG49685-RP

**NOTES:**  
 1. PART TO BE PACK IN A POLY BAG & CARTON.  
 2. VIEWS DO NOT REPRESENT ACTUAL SIZE.  
 SEE COMPONENT DRAWING FOR ACTUAL SIZE/DIMENSIONS.

RELEASE DRAWING EC NO: IPG2012-0070 DRWN: MCHOJECK 2012/09/19 CHKD: DT APPR: JFMURPHY 2013/12/05	QUALITY SYMBOLS ▽=0 ▽C=0	GENERAL TOLERANCES (UNLESS SPECIFIED)		DIMENSION STYLE INCH / MM		SCALE NTS	DESIGN UNITS INCH	THIRD ANGLE PROJECTION			
		4 PLACES ±--- ±---	3 PLACES ±--- ±---	2 PLACES ±--- ±---	1 PLACE ±--- ±---	DRAWN BY DATE MCHOJECK 2012/09/19	CHECKED BY DATE DT 2012/09/19	TITLE UPPER SHACKLE ASSEMBLY FOR JA & KA BALANCERS REPAIR PART			
		ANGULAR ±.5°				APPROVED BY DATE JFMURPHY 2013/12/05	MOLEX INCORPORATED				
		DRAFT WHERE APPLICABLE MUST REMAIN WITHIN DIMENSIONS				MATERIAL NO. SEE TABLE	DOCUMENT NO. BG49685-RP	SHEET NO. 1 OF 1			
A	REV	SIZE B		THIS DRAWING CONTAINS INFORMATION THAT IS PROPRIETARY TO MOLEX INCORPORATED AND SHOULD NOT BE USED WITHOUT WRITTEN PERMISSION							

10 9 8 7 6 5 4 3 2 1